

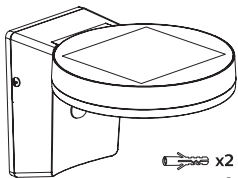
# PHILIPS

Zonal Ultra Efficient  
9290040668



User manual  
Benutzerhandbuch  
Notice d'emploi  
Manual de usuario  
Manual do usuário  
Manuale d'uso  
Gebruiksaanwijzing

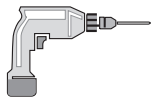
Incl.



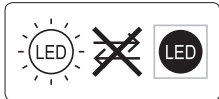
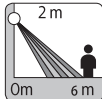
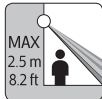
x2

x2

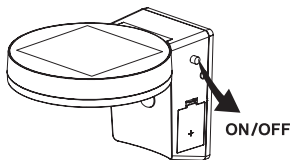
Excl.

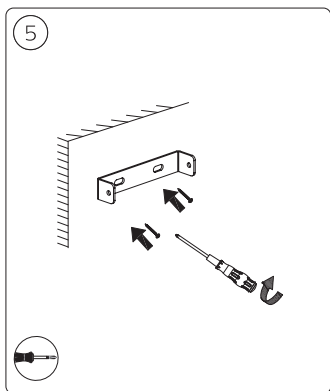
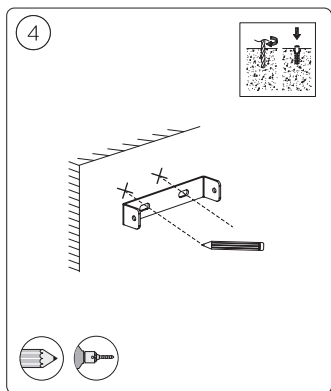
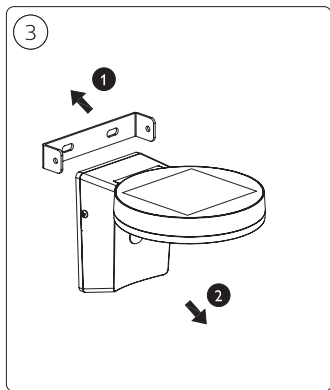
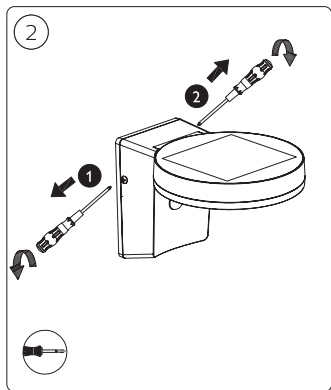


IP44

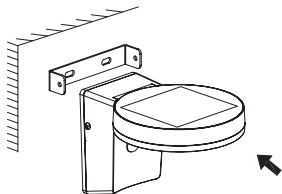


1

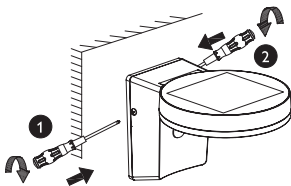




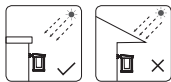
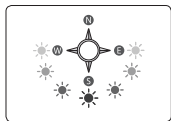
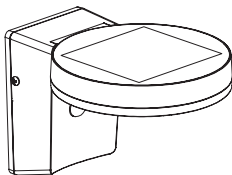
6



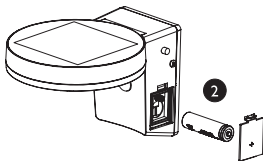
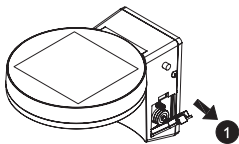
7



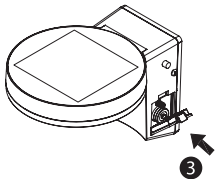
8



! Replace Battery



18650/3.7V Li-ion/2600mAh





Signify Commercial UK Limited  
Unit 3, Guildford Business Park,  
Guildford, Surrey, GU2 8XG, UK

Signify  
I.B.R.S. / C.C.R.I. Numéro 10461  
5600 VB Eindhoven, the Netherlands  
☎00800-74454775

Philips and the Philips Shield Emblem  
are registered trademarks of Koninklijke  
Philips N.V. and are used under license.

[www.philips.com/lighting](http://www.philips.com/lighting)

© 2023 Signify Holding  
©ignify

3241 661 02731